

PAUL MATTER



## SATELLITE SCENCE

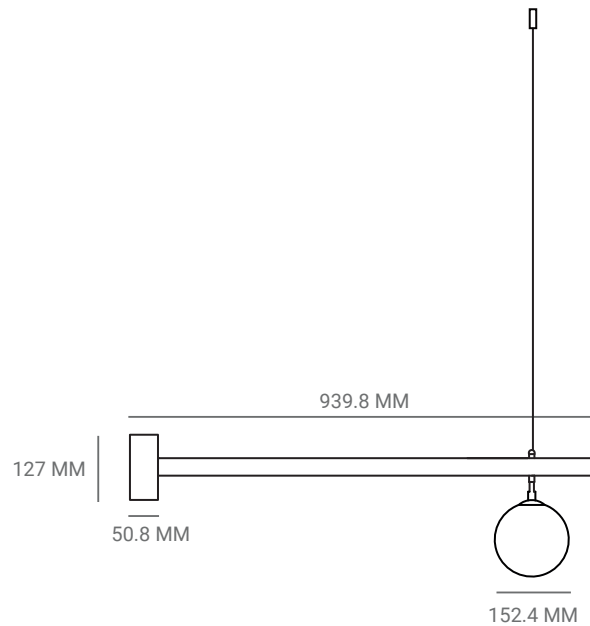
### WALL SCENCE

SATELLITE IS INSPIRED BY THE CONCEPTUAL AND MINIMALIST ART MOVEMENT OF THE 60'S AND 70'S. THESE LIGHT SCULPTURES ARE FUNDAMENTALLY GEOMETRIC AND ARCHITECTONIC. THEY RELY ON THE CUBE AS A STARTING POINT FOR STUDIO'S EXPLORATIONS IN SPACE, LIGHT, FORM, VOLUME, REPETITION, SEQUENCE AND VARIATION. ARTICULATING ARMS ENABLE A 180 DEGREE MOVEMENT ON THE HORIZONTAL PLANE. THE PIECES CAN BE USED AS INDIVIDUAL FIXTURES OR IN NUMBER OF COMBINATIONS FORMING LIGHT SCULPTURES LEVITATING IN SPACE.

PAUL MATTER

# SATELLITE SCONCE

## WALL SCONCE



P.CODE:

PMSS

DIMENSIONS:

W: 939.8 MM

WEIGHT:

3.5 KGS

LAMPING:

1 TYPE E27 MEDIUM BASE

3W - 5W LED, WARM WHITE

CE CERTIFIED, VOLTAGE 220V - 240V

DIMMABLE UPON REQUEST

MATERIALS:

BRASS AND ETCHED GLASS

CUSTOM FINISHES:

1. AGED BRASS WITH AGED BRASS DETAILS

2. BURNT BRASS WITH BURNT BRASS DETAILS

3. BURNT BRASS WITH AGED BRASS DETAILS

4. RAW BRASS WITH RAW BRASS DETAILS

5. SILVERED BRASS WITH SILVERED BRASS DETAILS

LEAD TIME:

8 WEEKS

FINISHED AND ASSEMBLED BY HAND