

PAUL MATTER



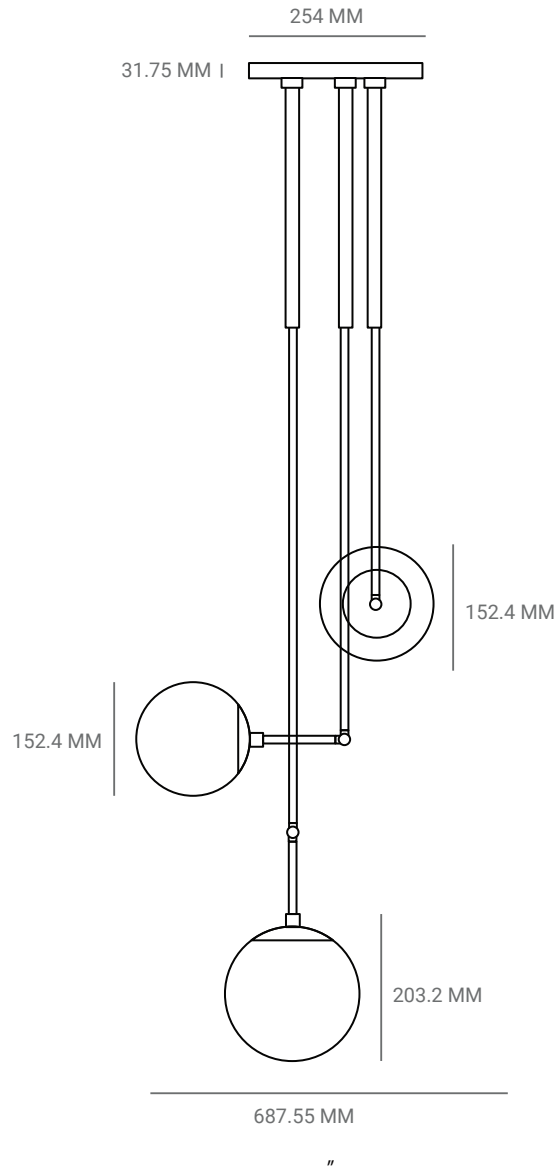
TANGO THREE

CEILING PENDANT

TANGO IS BORN FROM PLAYFUL EXPERIMENTATION WITH VINTAGE LIGHTING COMPONENTS. BURNT, AGED BRASS AND ETCHED GLASS ARE COMBINED TO CREATE LIGHTING FIXTURES THAT FUSE SCULPTURAL FORM WITH HAND-WORN MATERIALS. ARTICULATING ELBOWS AND ETCHED GLASS GLOBES CREATE A SOPHISTICATED ARMATURE THAT EMITS SOFT POOLS OF LIGHT. TANGO SERIES COMPRISES OF PENDANTS, CHANDELIERS, WALL SCONCE AND TABLE LIGHTS.

TANGO THREE

CEILING PENDANT



P.CODE:
PMTG3

DIMENSIONS:
D: 687.55 MM, SUBJECT TO GLOBE ANGLE
HEIGHT TO ORDER

WEIGHT:
7 KGS

LAMPING:
3 TYPE E27 MEDIUM BASE
3W - 8W LED, WARM WHITE
CE CERTIFIED, VOLTAGE 220V - 240V
DIMMABLE UPON REQUEST

MATERIALS:
BRASS AND ETCHED GLASS

CUSTOM LENGTHS:
MINIMUM LENGTH - 635 MM
INCLUDES UPTO - 1828.8 MM
ADDITIONAL LENGTH AT 1% PER 25.4 MM

CUSTOM FINISHES:
1. AGED BRASS WITH AGED BRASS DETAILS
2. BUFF BRASS WITH BUFF BRASS DETAILS
3. BURNT BRASS WITH BURNT BRASS DETAILS
4. BURNT BRASS WITH AGED BRASS DETAILS
5. RAW BRASS WITH RAW BRASS DETAILS
6. SILVERED BRASS WITH SILVERED BRASS DETAILS

LEAD TIME:
8 WEEKS
FINISHED AND ASSEMBLED BY HAND