

PAUL MATTER



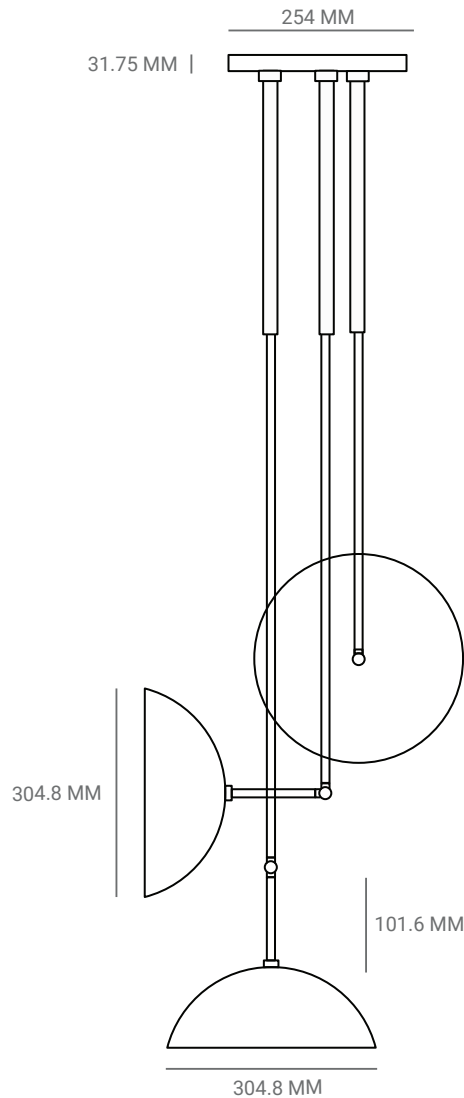
## TANGO THREE

CEILING PENDANT

TANGO IS BORN FROM PLAYFUL EXPERIMENTATION WITH VINTAGE LIGHTING COMPONENTS TO CREATE LIGHTING FIXTURES THAT FUSE SCULPTURAL FORM WITH HAND-WORN MATERIALS. ARTICULATING ELBOWS AND BRASS SHADES CREATE A SOPHISTICATED ARMATURE THAT EMITS SOFT POOLS OF LIGHT. TANGO SERIES COMPRISES OF PENDANTS, CHANDELIERS AND WALL SCONCE.

# TANGO THREE

## CEILING PENDANT



P.CODE:  
PMTB3

DIMENSIONS:  
D: 646.76 MM, SUBJECT TO DOME ANGLE  
HEIGHT TO ORDER

WEIGHT:  
9 KGS

LAMPING:  
3 TYPE E27 MEDIUM BASE  
40W INCANDESCENT, WARM WHITE  
CE CERTIFIED, VOLTAGE 220V - 240V  
DIMMABLE

MATERIALS:  
BRASS

CUSTOM LENGTHS:  
MINIMUM LENGTH - 635 MM  
INCLUDES UPTO - 1828.8 MM  
ADDITIONAL LENGTH AT 1% PER 25.4 MM

CUSTOM FINISHES:  
1. AGED BRASS WITH AGED BRASS DETAILS  
2. BUFF BRASS WITH BUFF BRASS DETAILS  
3. BURNT BRASS WITH BURNT BRASS DETAILS  
4. BURNT BRASS WITH AGED BRASS DETAILS  
5. RAW BRASS WITH RAW BRASS DETAILS

LEAD TIME:  
8 WEEKS  
FINISHED AND ASSEMBLED BY HAND