

PAUL MATTER

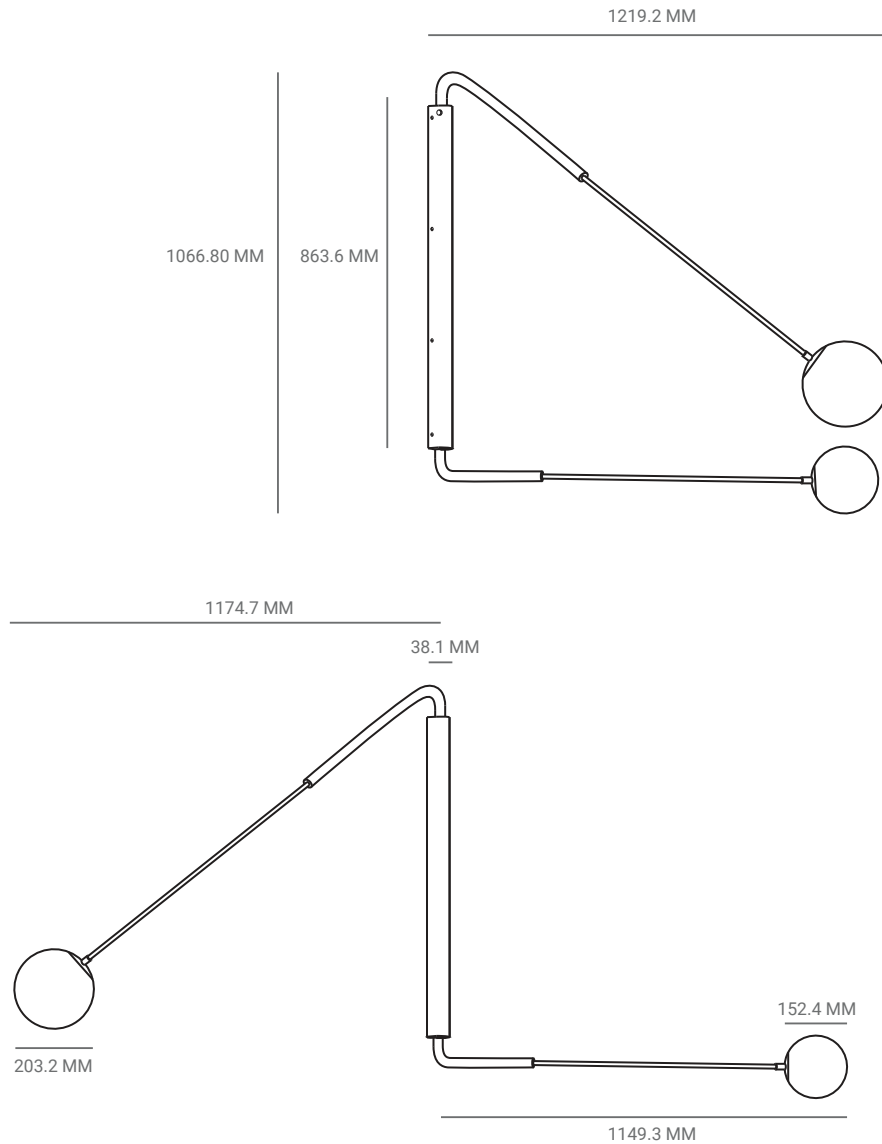


FLUTTER THREE

SWING ARM WALL SCONCE

FLUTTER IS A SWING ARM WALL LIGHT THAT BOASTS EXTRAORDINARY LONG ROTATING ARMS HELD BY A SLENDER VERTICAL SPINE. FLUTTER'S LONG ARMS PROVIDE FUNCTIONAL LIGHT WITH AN ELEGANT ARMATURE, WHEREVER NEEDED. THE STREAMLINED STRUCTURE AND HEFTY SCALE ALLOWS THESE PIECES TO STAND-ALONE OR BE GROUPED TOGETHER.

PAUL MATTER



FLUTTER THREE

SWING ARM WALL SCONCE

P.CODE:
PMF3

DIMENSIONS:
H: 1066.80 MM x W: 1219.2 MM
GLOBE TO GLOBE DIMENSIONS WHEN FULLY OPENED: 2324 MM

WEIGHT:
10 KGS

LAMPING:
2 TYPE E27 MEDIUM BASE
3W - 5W LED, WARM WHITE
CE CERTIFIED, VOLTAGE 220V - 240V
DIMMABLE UPON REQUEST

MATERIALS:
BRASS AND ETCHED GLASS

CUSTOM LENGTHS:
MINIMUM LENGTH - 1219.2 MM
INCLUDES UPTO - 1600.2 MM
ADDITIONAL LENGTH AT 1% PER 25.4 MM

CUSTOM FINISHES:
1. AGED BRASS WITH AGED BRASS DETAILS
2. BURNT BRASS WITH BURNT BRASS DETAILS
3. RAW BRASS WITH RAW BRASS DETAILS

LEAD TIME:
8 WEEKS
FINISHED AND ASSEMBLED BY HAND